



RINO SERIES HYBRID SOLAR INVERTER

6KW | PV 9000

IP65



MAIN FEATURES



FLEXIBLE

One machine for multiple purposes: On-grid + Energy storage + Off-grid.



BATTERY READY

Battery Management, Ensure continuous and stable power supply.



HIGH ADAPTABILITY

Increase the self-sufficiency & independence of electricity and reduce electricity cost.



LIGHTWEIGHT

Small size, lightweight, one person can complete the installation.



SAFE & RELIABLE

Low failure rate for long working hours, Waterproof design, indoor & outdoor use.



HIGHER REVENUE

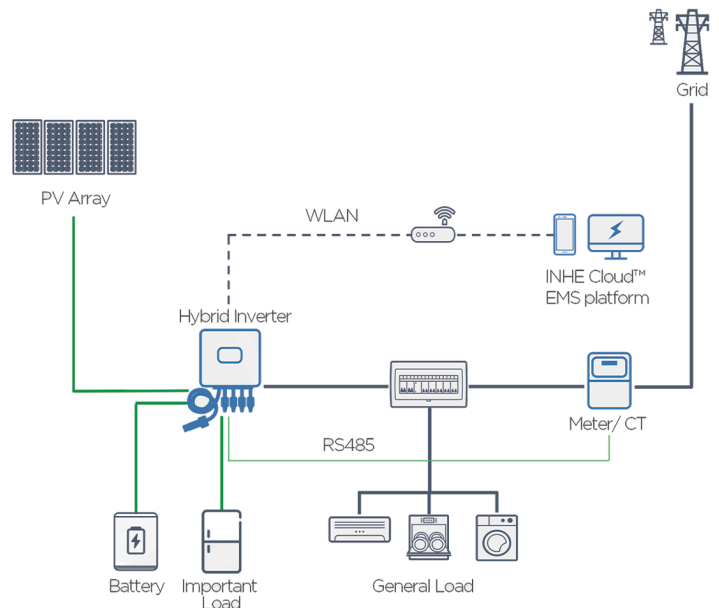
Up to 98% conversion efficiency with lower losses, longer working time.

MONITORING PLATFORM

The operating status of each inverter in the system, PV power generation production, consumption, efficiency and quality data in real-time monitoring. The automatic alarm of abnormal status eliminates the safety hazards in time and provides reliable communication guarantee for large grid dispatch.



HYBRID SOLAR SYSTEM



TECHNICAL PARAMETER

Technical Data	Rino 6KW
PV String Input Data	
MAX. Dc Input Power	9000W
Operation Voltage Range	550V
MPPT working voltage range	80V-540V
Number of independent MPPT / String per MPPT	2/1+1
MPPT Max. Current	15A/15A
Start-up voltage/Min. operating voltage AC output/Input data (on-grid)	100V/80V
Nominal output apparent power	6000W
Max. output apparent power	6600VA
Nominal output voltage	220V/180V-280V
Nominal output frequency	50Hz, 60Hz/+5Hz
Rated output current	26A
Max. output current	29A
THDi	<3% (Nominal Output)
Grid system pattern	L + N + PE
Max. apparent power from utility grid	12000VA
Max. Ac current from utility grid	58A
Back-up output data (UPS)	
Peak output apparent power	7000Va, 10s
Nominal output apparent power	6000VA
Nominal output voltage	208V, 220V, 230V, 240V
Nominal output frequency	50Hz/60Hz
output THDV	<3%
Automatic switch time	<10ms
Battery input data	
Battery type	Lithium and Lead-acid batteries
Nominal battery voltage	48V
Battery voltage range	42V - 59V
Max. charging/discharging current	100A
Charging strategy for Li-Ion battery	Self-adaption to BMS
Charging strategy for Lead-acid battery	Three-stage
Efficiency	
Max. efficiency	98%
Protection	
Anti islanding protection	Yes
Insulation impedance protection	Yes
RCD detection	Yes
PV reverse polarity protection	Yes
Output over voltage protection	Yes
Output over current protection	Yes
General Data	
Dimension (W/L/H) in mm	375/365/240
Weight	20kg
Operation temperature range	-25°C ~ 60°C
Heat dissipation mode	Natural
IP class	IP 65
Features	
LCD display	Yes
Communication interface	WiFi/4G/USB/CAN/RS485
Standards	EN 62109-1 / EN 62109-2 / EN 62477-1 / IEC 61000-6 / IEC 61000-6-3 / CEI 0-21 / UNE 217001 / UNE 217002 / VDE 0126 / IEC 61727 / IEC 62116 / EN 50549-1 / G98 / G99 / AS 4777.2